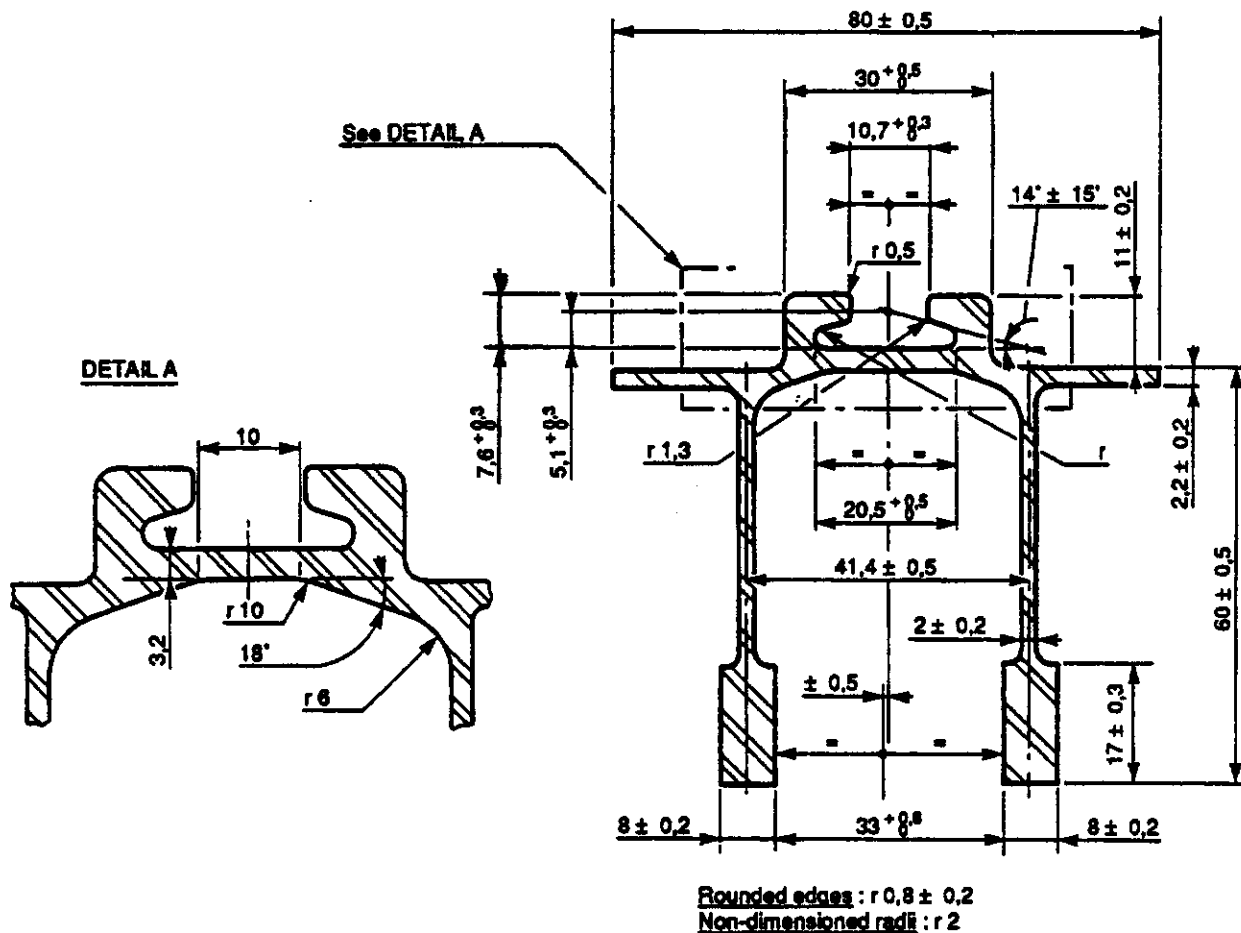
 aerospatiale DIVISION AVIONS NORMALISATION	SECTION - EXTRUDED, 7175, UTILIZATION STATUS : T6511	ASNA2231 Issue : D Date : 12.91
---	---	--



MATERIAL		SECTION		NOMINAL MASS PER METER :	
7175		816 mm ²		2,320 Kg	
box		lyy		UNLESS OTHERWISE INDICATED GENERAL TOLERANCES AS PER NF.L15501	
mm ⁴		mm ⁴			
DELIVERY STATUS	PROCUR¹ LENGTH	CODE	ITEM	COLOR	COLOR CODE No.
T6511	TV	2406902490			

 R. BERGOEND		N° CLASSEMENT E.348000 Page : 198
---	--	--

This document is the property of Aerospatiale ; no part of it shall be reproduced or transmitted without the express prior written authorization of Aerospatiale and its contents shall not be disclosed.

ASNA2231

Issue : 12.91

Page : 2

DESIGNATION : Example of part number identification to be used on drawing schedules :

ASNA2231 , Section

OBSERVATIONS : Procurement and control reception specifications :
I.G.C.04.32.113
ASNA6033

QUALIFIED MANUFACTURERS : Refer to the list of qualified manufacturers and products, available from Standardization Departments.

AMENDMENT RECORD SHEET

Issue	Modified paragraph	Modification summary	Justification
A.06.84		New standard.	
B.10.84			
C.12.90		Position of dimension $41,4 \pm 0,5$ modified. Classification page numbering changed without affecting standard contents.	Following NT note No. 7222 of 11/12/90
D.12.91		Title modified. Procurement and control reception specifications modified. Classification page numbering changed without affecting standard contents.	Note A/DQ/NZ/MP No. 30149 of 07.91 Amendment of procurement specification

NOTE: Modification to the last standard issue are indicated by a vertical line in the margin.